



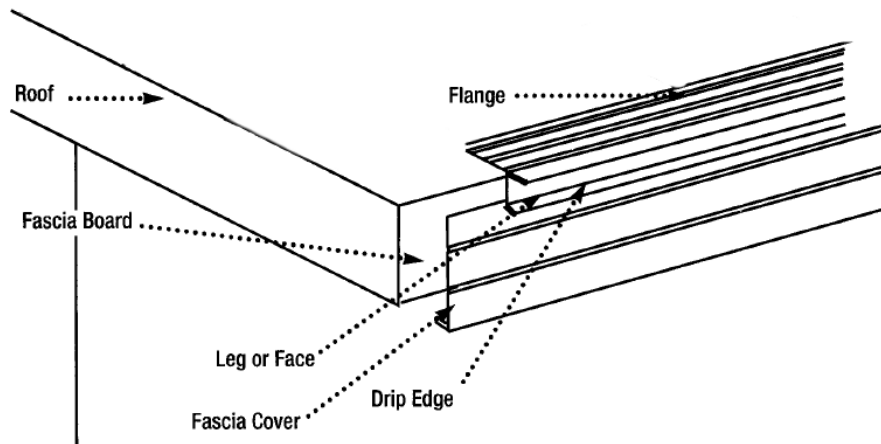
# DRIP EDGE INSTALLATION

**Rollex**  
ALWAYS ON THE JOB

ISSUED  
JULY 2018

## TIPS FOR USE WITH ASPHALT SHINGLES

- Drip edge should be installed on top of underlayment at all rakes and below underlayment at all eaves
- Position drip edge flange on roof edge, making sure the face or leg is flush to the fascia board and the “drip edge” is facing away from the roof
- Lap adjacent pieces by a minimum of 2 inches
- Always use aluminum nails that can penetrate a minimum of  $\frac{3}{4}$ ”
- The first nail should not be less than 4” from the end of the drip edge
- Drive the next nail approximately 18” to 24” away and continue nailing down the flange ensuring the last nail is not less than 4” away from the end of the drip edge
- Be careful not to overdrive nails as this can cause buckling. Nails should not be driven home; the drip edge must be hung, not attached. Allow  $\frac{1}{32}$ ” clearance for movement due to temperature changes
- Asphalt shingles should overhang the drip edge by  $\frac{1}{4}$ ” to  $\frac{3}{4}$ ” inch



Please refer to the current Rollex Buyers Guide to view available sizes, gauges and colors.

Check local building codes prior to the start of any roofing project

## COLORS

Enjoy the endless design possibilities with our extensive color selection. Our perfectly matched color system between soffit, accessories, siding and rainware is suitable for all home types.

No matter which rich shade is chosen, our products stay true and looking new, with virtually no maintenance.

## LIMITED LIFETIME WARRANTY

- Guaranteed not to crack, peel, chip, split, flake or blister
- Non Pro-rated

